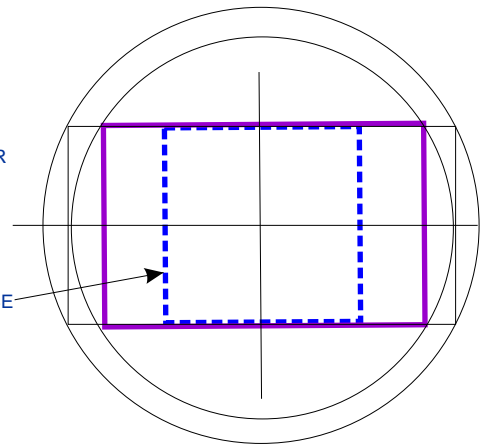


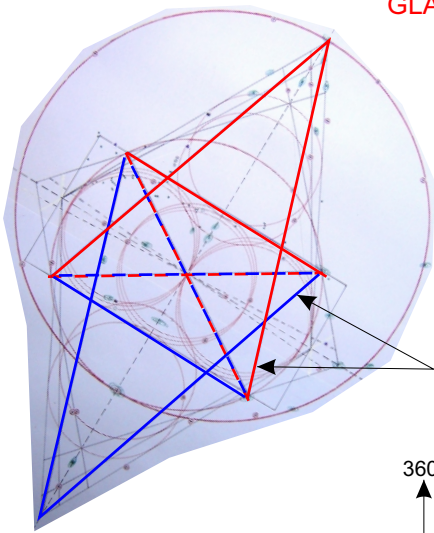
GLASTONBURY SPINNERS/RIDERS

ARK MEASUREMENT RATIOS:
 1.5 X 1.5 X 2.5 (COVER THICKNESS
 IS NOT GIVEN) "ORACLE" CHAMBER
 CONTAINING THE ARK IS A CUBE:
 20 X 20 X 20.

ORACLE: "DEBER" (R-B-D) ...BEE



INTERNAL CUBE

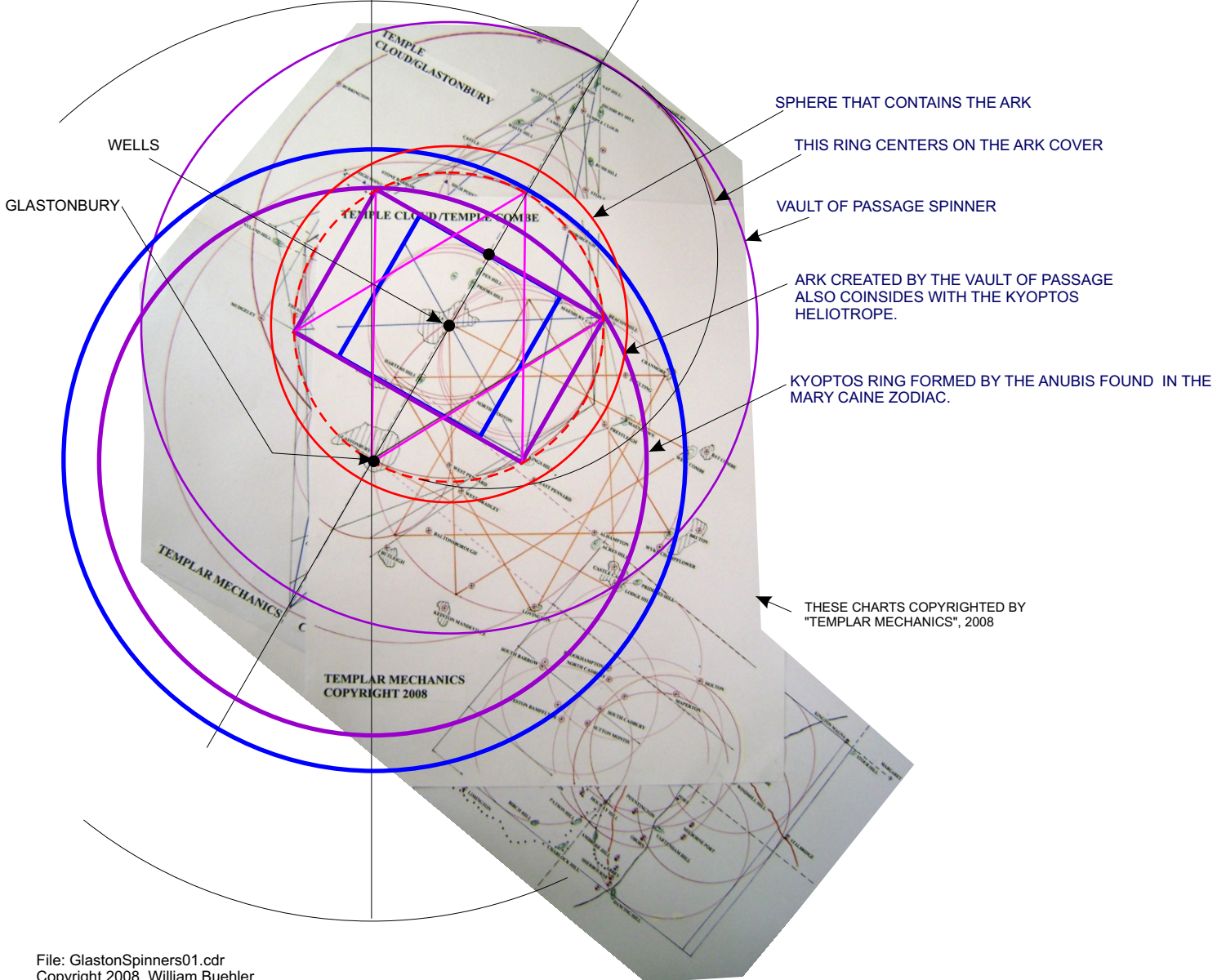


TWO O'PURAH STARS

030T

SLOPE OF ALIKAR RESHEL'S HAEPATHIA
 (STAR OF DAVID, EQUILATERAL TRIANGLE)

360T



SPHERE THAT CONTAINS THE ARK

THIS RING CENTERS ON THE ARK COVER

VAULT OF PASSAGE SPINNER

ARK CREATED BY THE VAULT OF PASSAGE
 ALSO COINCIDES WITH THE KYOPTOS
 HELIOTROPE.

KYOPTOS RING FORMED BY THE ANUBIS FOUND IN THE
 MARY CAINE ZODIAC.

THESE CHARTS COPYRIGHTED BY
 "TEMLAR MECHANICS", 2008

WELLS

GLASTONBURY

TEMPLE CLOUD/TEMPLE COMBE

TEMLAR MECHANICS

TEMLAR MECHANICS
 COPYRIGHT 2008